

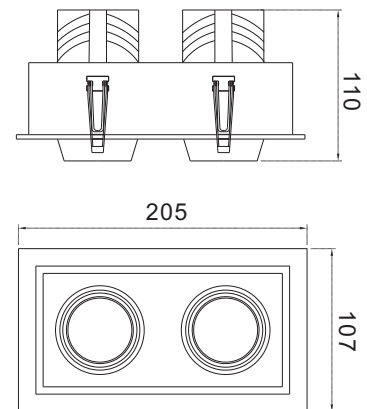
LED Grille light: TWIN 2X10

Product Description

LED Grille light:GL0210 which frame and the heat sinking part are made of die-casting aluminum molding; using international top grade COB CITIZEN chip, electroplated plastic reflective cup, do 12 °, 24 °, 36 °, black, white, gold three kinds Anti-glare ring optional, viewing angle accuracy, anti-glare, light spot completely, with "Done" brand high-quality external driver; lamps in the frame can be rotated horizontally 355 ° and about 30 ° rotation. Excellent quality, to ensure that the product life of 30,000 hours; lamps with endless equipment, simple, beautiful, can be used in many places.

Technical Parameter

Nominal wattage	2*10W
Input	100-240VAC 50/60Hz
Output	36VDC 480mA
Color temperature	3000K/4000K
Color rendering index	Ra>80
Beam angle	12°/24°/36°
3000k Luminous flux	12° 1488lm/24° 1572lm/36° 1632lm
4000k Luminous flux	12° 1502lm/24° 1647lm/36° 1700lm
Product color	White/Black
Dimming	No Dim
Cut out diameter	190×90mm
Type of protection	IP20
Protection class	III
Operation temperature	-20℃-50℃
Warranty	5years



(Unit: mm)

Ordering Information

TW	02	10	C	8	30	F	W	24°
Type	Quantity	Wattage	LED	CRI	CCT	Dimming	Product Color	Beam Angle
TW	01 one loaded 02 two loaded	10 10W	C CITIZEN	8 >80 9 >90	30 3000K 40 4000K	F No Dim D Dali Dim A 1-10V Dim	W White B Black	12° 24° 36°